



1 3/8" MIN Power Series "T" Connectors

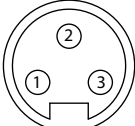
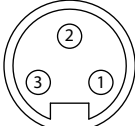
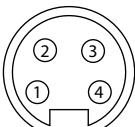
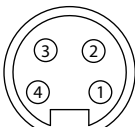
3 & 4 Conductor PMIN Series "T" Connector



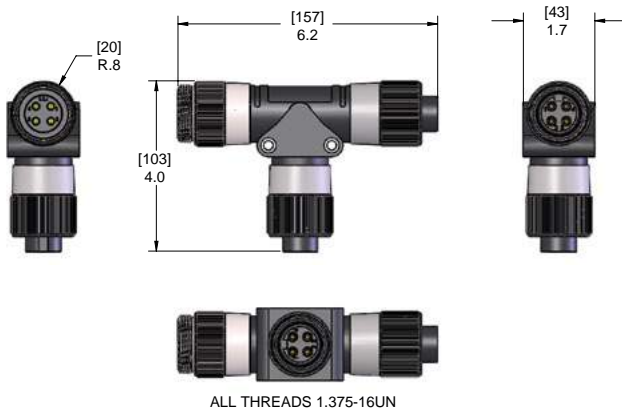
"T" Connectors | Male to Two Female | 600 Volt | IP67 Rating



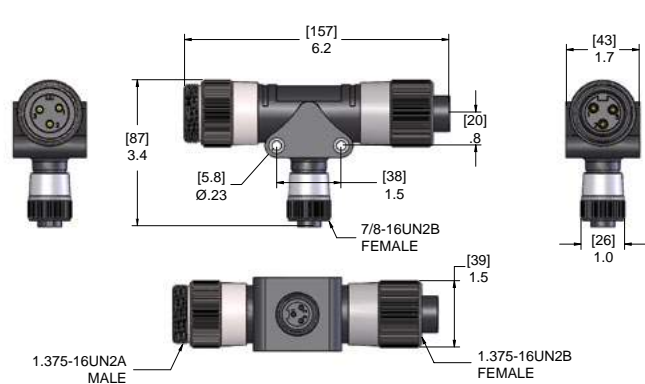
D
PMIN Cordsets

# of Poles	Male Faceview	Female Drop Thread Size	Part Number	Wiring	Female Faceview
3	 1.375"-16UN2	1.375"-16UN	PMIN-30MFF-T	1 to 1 to 1 2 to 2 to 2 3 to 3 to 3	 1.375"-16UN2
		7/8"-16UN	PMINH-30MFF-T		
4	 1.375"-16UN2	1.375"-16UN	PMIN-40MFF-T	1 to 1 to 1 2 to 2 to 2 3 to 3 to 3 4 to 4 to 4	 1.375"-16UN2
		7/8"-16UN	PMINH-40MFF-T		

Standard coupling nut is nickel plated brass, for stainless steel coupling add -SS suffix. (e.g. PMIN-3MFF-T becomes PMIN-3MFF-T-SS)



PMIN T Connectors



PMINH T Connectors

Specifications:

- Body : Oil Resistant Black PVC
- Contacts : Copper Alloy with Gold Plating
- Coupling Nut : Nickel Plated Brass
- Temperature : -40 °C to +105 °C